

 **BARRIER FREE**

**GLENDALE UNDER COUNTER LAVATORY**

- Vitreous china
- Shell pattern in bowl
- Unglazed rim for under counter mount
- Front overflow/rear overflow installation for Barrier Free
- Center drain outlet
- Supplied with template and mounting kit

 **0625.000**

464 x 381mm (18-1/4" x 15")

**Bowl sizes:**

406mm (16") wide,  
311mm (12-1/4") front to back,  
152mm (6") deep

**Compliance Certifications -**

**Meets or Exceeds the Following Specifications:**


- ASME A112.19.2M for Vitreous China Fixtures

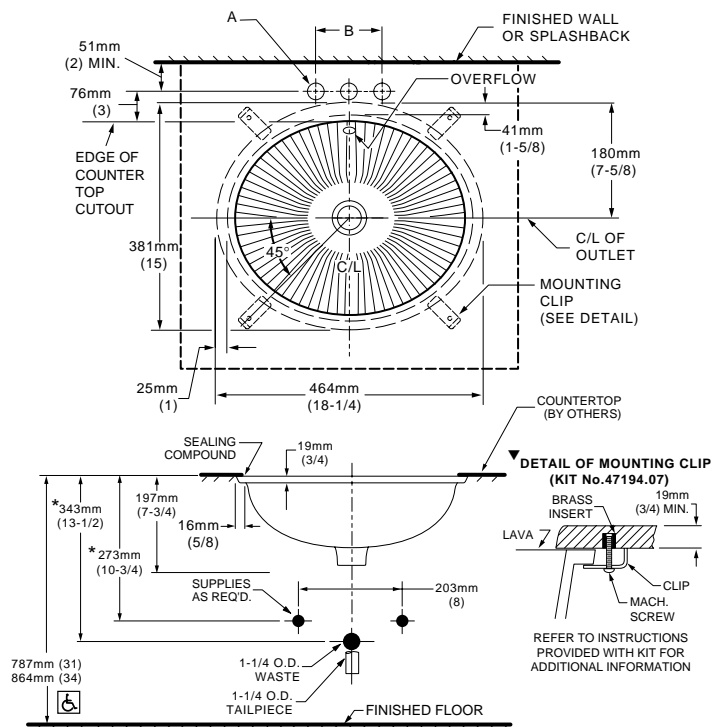


**To Be Specified**

- Color:
- Faucet\*:
- Faucet Finish:
- Supplies:
- 1-1/4" Trap:
- Nipple:


\* See faucet section for additional models available

-  ● Countertop 864mm (34") from finished floor. Lavatory installed 51mm (2") from front edge of countertop. Countertop thickness to be 25mm (1") maximum.
- MEETS THE AMERICAN DISABILITIES ACT GUIDELINES AND ANSI A117.1 ACCESSIBLE AND USEABLE BUILDINGS AND FACILITIES - CHECK LOCAL CODES.**



FITTING	A	B
CENTER-SET	27mm(1-1/16)	102mm(4)
SPREAD	32mm(1-1/4)	203mm(8)

**NOTES:**

-  LAVATORY DESIGNED TO MEET ADA REQUIREMENTS WITH COUNTERTOP HEIGHT SET AT 864mm (34) WITH COUNTERTOP THICKNESS 25mm (1) MAX AND LAVA INSTALLED AT 51mm (2) MIN. FROM FRONT EDGE OF COUNTER AND OVERFLOW LOCATED IN REAR.
- ▼ UNDERCOUNTER MOUNTING KIT SUPPLIED WITH LAVATORY.
- \* DIMENSIONS SHOWN FOR LOCATION OF SUPPLIES AND "P" TRAP ARE SUGGESTED.
- FITTINGS NOT INCLUDED WITH FIXTURE AND MUST BE ORDERED SEPARATELY.
- FOR COUNTERTOP CUTOUT AND INSTALLATION INSTRUCTIONS USE TEMPLATE SUPPLIED WITH LAVATORY.
- IN-FIELD ADJUSTMENT OF POP-UP ROD EXTENSION REQUIRED. PROVIDE A 2-1/2" OFF-SET BEND FOR PROPER OPERATION.
- IMPORTANT: Dimensions of fixtures are nominal and may vary within the range of tolerances established by ANSI Standard A112.19.2. These measurements are subject to change or cancellation. No responsibility is assumed for use of superseded or voided pages.