

FEATURED MODEL

501-102 6" bowl depth

FEATURES

- 20 gauge, 304 series stainless steel
- 18/8 chrome/nickel content
- Long-lasting, easy-to-clean, satin finish
- Center drain placement

WARRANTY

Blanco America's BLANCOSPEX Series sinks feature a 15-year "NO HASSLE" LIMITED WARRANTY to be free of all manufacturing defects under normal use. See our complete warranty for details.

While Blanco America endeavors to provide accurate information, all dimensions are nominal, cannot be guaranteed, and are subject to change or cancellation. Blanco America assumes no responsibility for use of superseded or voided specifications.

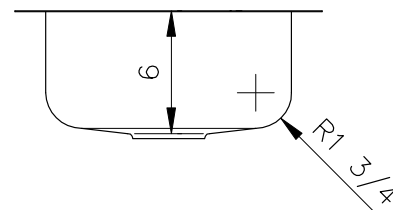
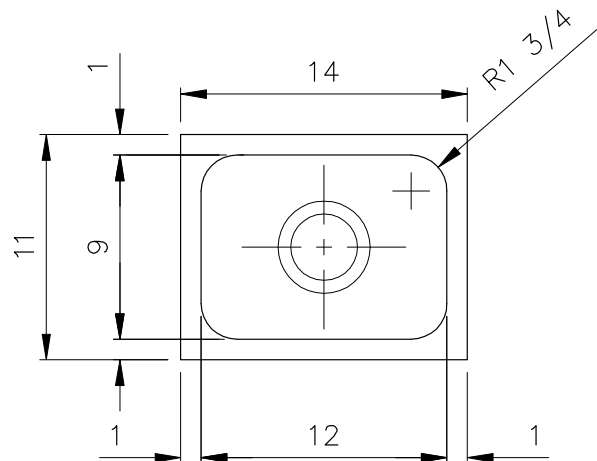


MODEL 501-102

NOMINAL DIMENSIONS

MODEL	OVERALL	CUTOUT SIZE	BOWL DEPTH	DRAIN DIAMETER
501-102	14 x 11	Template provided with approximate 1/8" reveal	6	3-1/2

DXF cutout templates available on our web site or this specification CD.



PRODUCT SPECIFICATION

Undermount sink to be bar sink design, 14" in length and 11" in front-to-back depth. Sink to be made from 20 gauge, 304 series stainless steel, with 18/8 chrome/nickel content and satin finish. Sink to feature center drain placement. Sink to be Blanco Model 501-102, with bowl depth of 6".

JOB INFORMATION

Job Name: _____

Contact: _____

Date Specified: _____

Specifier: _____

Contractor: _____