

FAUCET DESCRIPTION

- Chrome plated metal construction
- Pressure balancing cycle valve design
- 1/2" CC connections with 1/4 turn stops
- Hand-held shower includes 30" slide bar, drop ell, wall bracket, vacuum breaker, 69" metal hose and hardware.
- **Slide bar is NOT DESIGNED TO BE A GRAB BAR.**
- Supplied with vandal resistant screws

OPERATION

- Lever style handle with temperature indicator on the escutcheon
- Handle operates counterclockwise through a 270° arc with off at 6 o'clock, and maximum hot at the 9 o'clock position.
- Adjustable temperature limit stop to restrict the handle travel in the HOT direction
- Pressure balancing mechanism maintains selected discharge temperature to $\pm 2^\circ$.

FLOW

- 2.5 gpm (9.5 L/min) Hand-Held shower head

CARTRIDGE

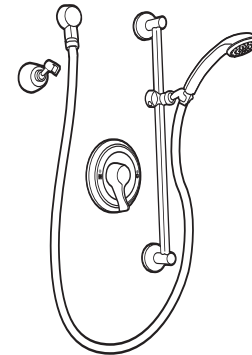
- 1222 cartridge design
- Nonmetallic/nonferrous and stainless steel materials
- Accommodates back to back installations

STANDARDS

- Designed and manufactured to meet CSA B-125 and ASME A112.18.1M and all applicable specifications referenced therein and complies with the applicable requirements of ANSI A117.1

WARRANTY

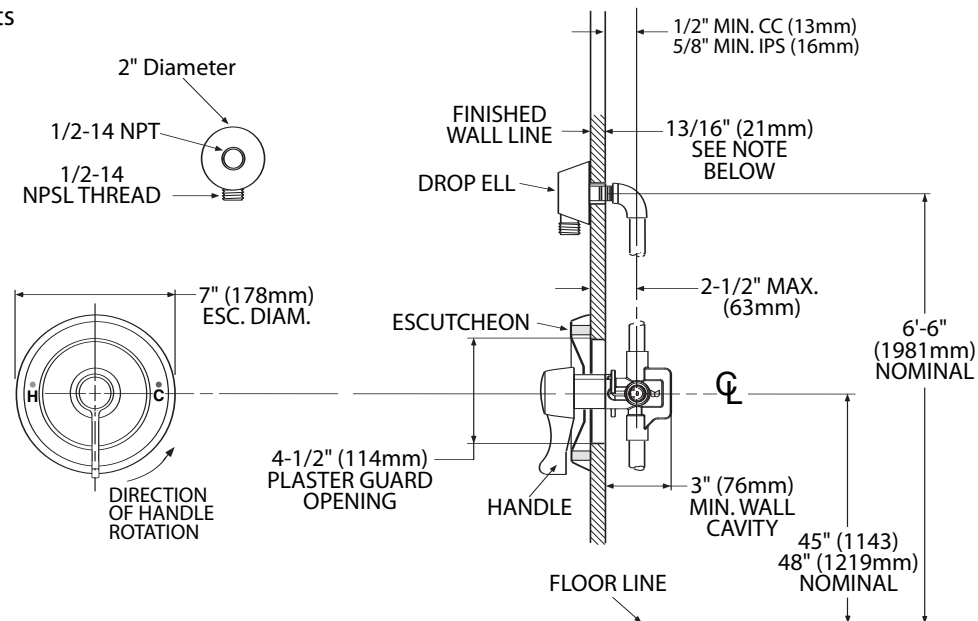
- Warranted for 5 years against material or manufacturing defects



Single-Handle Pressure Balancing Shower Valve With Hand-Held Shower System Model: 8346

NOTE: 13/16" is the maximum finished wall thickness. Specify part number 96945 extension kit for finished walls up to 1-13/16" thick, or part number 96955 extension kit for finished walls up to 2-13/16"... as well as faucet model number

NOTE: Hand-held shower head with hose and vacuum breaker has been omitted from illustration for clarity.



CRITICAL DIMENSIONS

(DO NOT SCALE)