

ELKAY® SPECIFICATIONS

Pacemaker® Single Bowl Sink 20 Gauge – Type 304 – Self-Rim Model PSR Series

GENERAL

Fine quality spacious sink bowl seamlessly drawn of #20 gauge, type 304 (18-8) nickel bearing stainless steel. Self-rimming.

DESIGN FEATURES

Bowl Depth: 7-1/4", 7-1/2" (PSR2521 and PSR2522).

Coved Corners: 1-3/4" vertical and horizontal radius.

Bowl and Faucet Deck Recess: All models have a 3/16" drop ledge, except PSR2522. PSR2522 has a 7/16" drop ledge.

Finish: Exposed surfaces are polished to a lustrous, highlighted bright satin finish.

Underside: Fully undercoated to dampen sound and prevent condensation.

OTHER

Drain Opening: 3-1/2".

Faucet Holes: 1, 2, 3, 4 or 5 holes as indicated.

NOTE: PSR2521 and PSR2522 undersides are fully protected by heavy duty Sound Guard® undercoating.

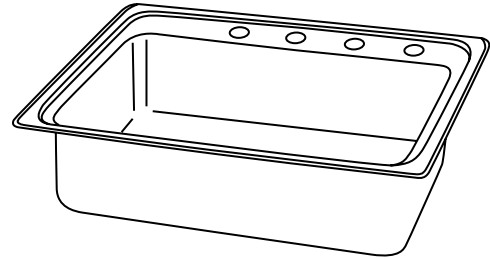
These sinks comply with ANSI Standard A112.19.3M.



These sinks are listed by the International Association of Plumbing and Mechanical Officials as meeting the requirements of the Uniform Plumbing Code.



These sinks are listed with the Canadian Standards Association.

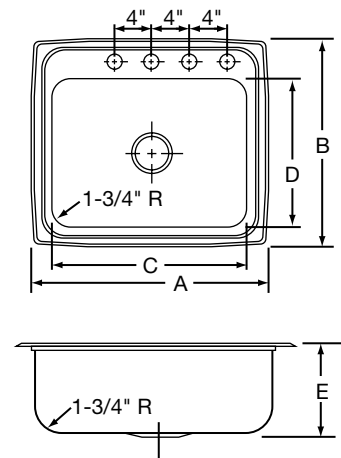


Model PSR25214

SINK DIMENSIONS (INCHES)*

Model Number	Overall		Inside Bowl			Cutout in Countertop (1 1/2" Radius Corners)		No. of 1 1/2" Dia. Faucet Holes 4" Centers	Minimum Cabinet Size	Ship. Wt. Lbs.
	L	W	L	W	D	L	W			
PSR1517	15	17 1/2	12	12	7 1/4	14 3/8	16 7/8	1, 2 or 3	18	8
PSR1716	17	16	14	10	7 1/4	16 3/8	15 3/8	1, 2 or 3	21	7 1/4
PSR1720	17	20	14	14	7 1/4	16 3/8	19 3/8	1, 2 or 3	21	10
PSR1722	17	22	13 1/2	16	7 1/4	16 3/8	21 3/8	1, 2 or 3	21	10
PSR1918	19	18	16	11 1/2	7 1/4	18 3/8	17 3/8	1, 2 or 3	24	8 3/4
PSR2219	22	19 1/2	18	14	7 1/4	21 3/8	18 7/8	1, 2, 3 or 4	27	11
PSR2222	22	22	19	16	7 1/4	21 3/8	21 3/8	1, 2, 3, 4 or 5	27	12
PSR2521	25	21 1/4	21	15 3/4	7 1/2	24 3/8	20 5/8	1, 2, 3, 4 or 5	30	13
PSR2522	25	22	21	15 3/4	7 1/2	24 3/8	21 3/8	1, 2, 3, 4 or 5	30	13 3/4
PSR3122	31	22	28	16	7 1/4	30 3/8	21 3/8	1, 2, 3, 4 or 5	36	17
PSRS3322	33	22	28	16	7 1/4	32 3/8	21 3/8	1, 2, 3, 4 or 5	36	16 1/4

*Length is left to right. Width is front to back.



Model PSR22194 Illustrated

ALL DIMENSIONS IN INCHES, TO CONVERT TO MILLIMETERS MULTIPLY BY 25.4.

In keeping with our policy of continuing product improvement, Elkay reserves the right to change product specifications without notice.

This specification describes an Elkay product with design, quality and functional benefits to the user. When making a comparison of other producers' offerings, be certain these features are not overlooked.