

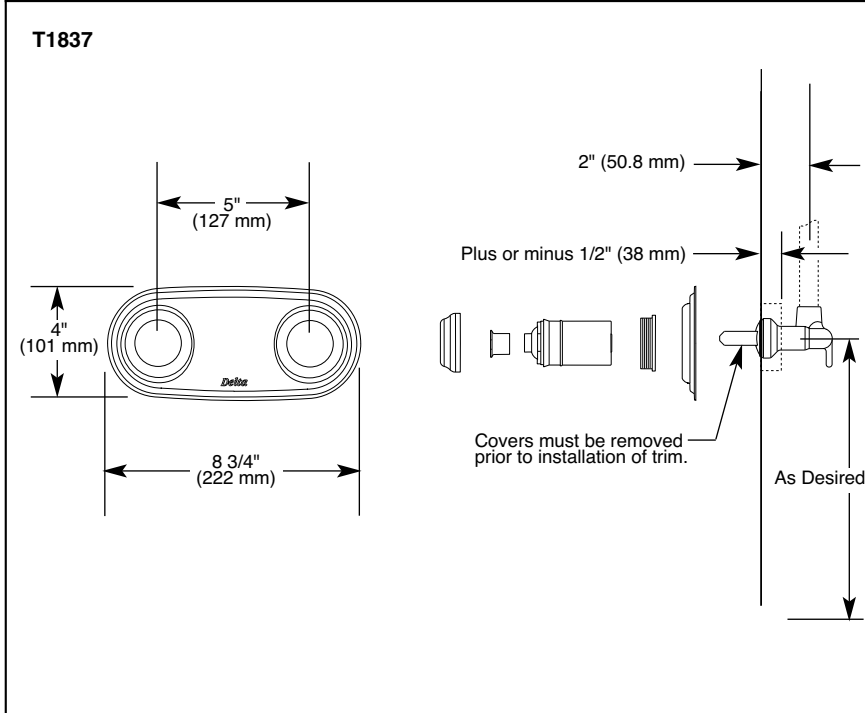
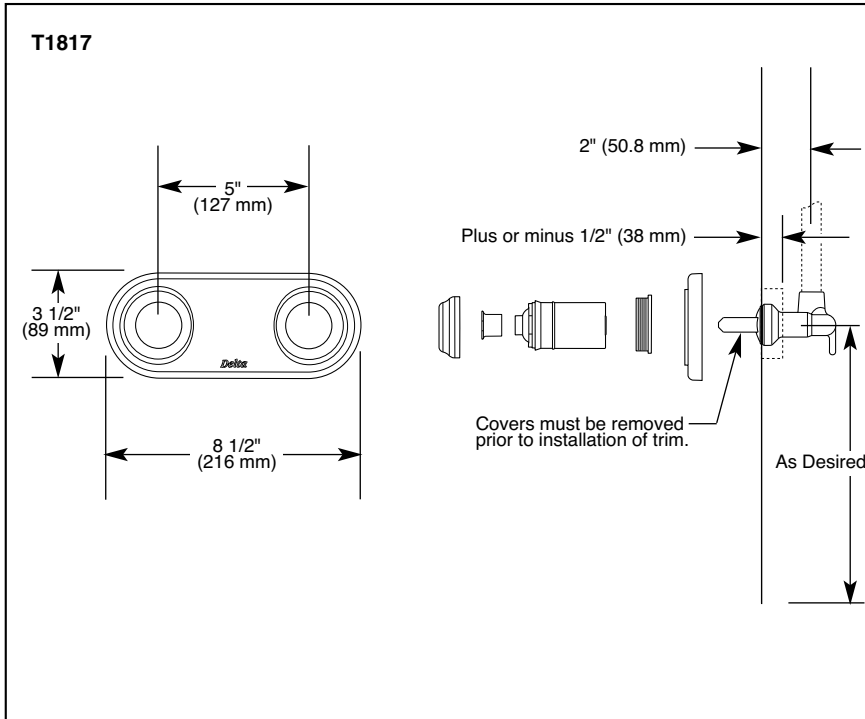
DELTA[®]

SHOWER MIXING VALVES

- Jetted Shower Jet Module XO™
- Trim Only
- Jetted Module
- Rough Must be Ordered to Complete Installation

Submitted Model No.: _____

Specific Features: _____



COMPLETE VALVE COMPLIES WITH:

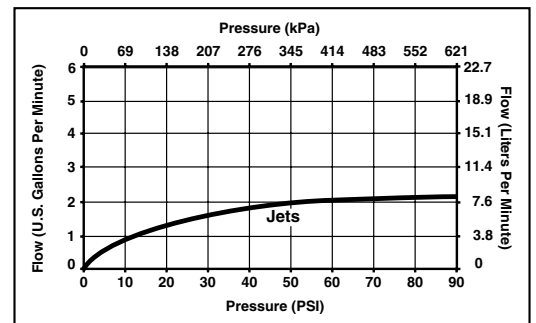
- ASME A112.18.1
- CSA B125

ROUGH STANDARD SPECIFICATIONS:

- Requires 1 1/2" (38 mm) wall cavity.
- Back-to-back installation capability.
- Adjusts for up to 1 1/4" (32 mm) wall thickness.
- The orientation of the inlet is not important.

TRIM STANDARD SPECIFICATIONS:

- Must have rough valve to have complete installation.



Standard Features	T1817	T1817-CB	T1817-NN	T1817-NP	T1817-PB	T1837	T1837-CB	T1837-NN	T1837-NP	T1837-PB	T1837-RB
	Chrome Finish	◆					◆				
Chrome and <i>Brilliance</i> ® Polished Brass Finish		◆					◆				
<i>Brilliance</i> ® Polished Brass Finish					◆					◆	
<i>Brilliance</i> ® Pearl Nickel Finish			◆				◆				
<i>Brilliance</i> ® Pearl Nickel and <i>Brilliance</i> ® Polished Brass Finish				◆				◆			
Venetian Bronze™ Finish											◆



Indianapolis, Indiana 46280
A Division of Masco Corporation of Indiana
© 2002 Masco Corporation of Indiana