



Buy it for looks. Buy it for life.®

Specifications

DESCRIPTION

- Metal construction with chrome plated, chrome w/porcelain, chrome w/LifeShine® polished brass, LifeShine® polished brass, satine, satine w/ LifeShine® polished brass accents or LifeShine® brushed nickel
- 1/2" IPS connections
- Includes hot (red) and cold (blue) temperature indicators

OPERATION

- Lever style handles
- Maximum handle rotation angle is 90° to full on for either handle. Rotate Hot side, counterclockwise to open (clockwise to close). Rotate Cold side, clockwise to open (counterclockwise to close)

FLOW

- Aerator is limited to 2.2 gpm (8.3 L/min)

CARTRIDGE

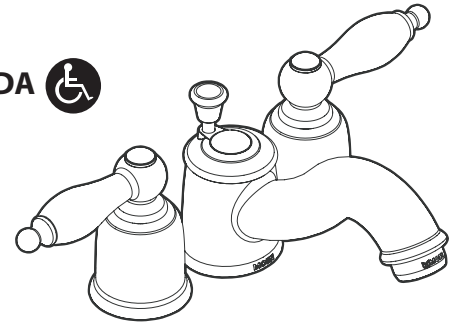
- 1224 cartridge design
- Nonmetallic and stainless steel material

STANDARDS

- Third party certified to meet CSA B-125, ASME A112.18.1M and all applicable requirements referenced therein
- Certified to ANSI/NSF 61/9
- Complies with California Proposition 65 and with the Federal Safe Drinking Water Act

WARRANTY

- Lifetime limited warranty against leaks, drips and finish defects to the original consumer purchaser
- 5 year warranty if used in commercial installations

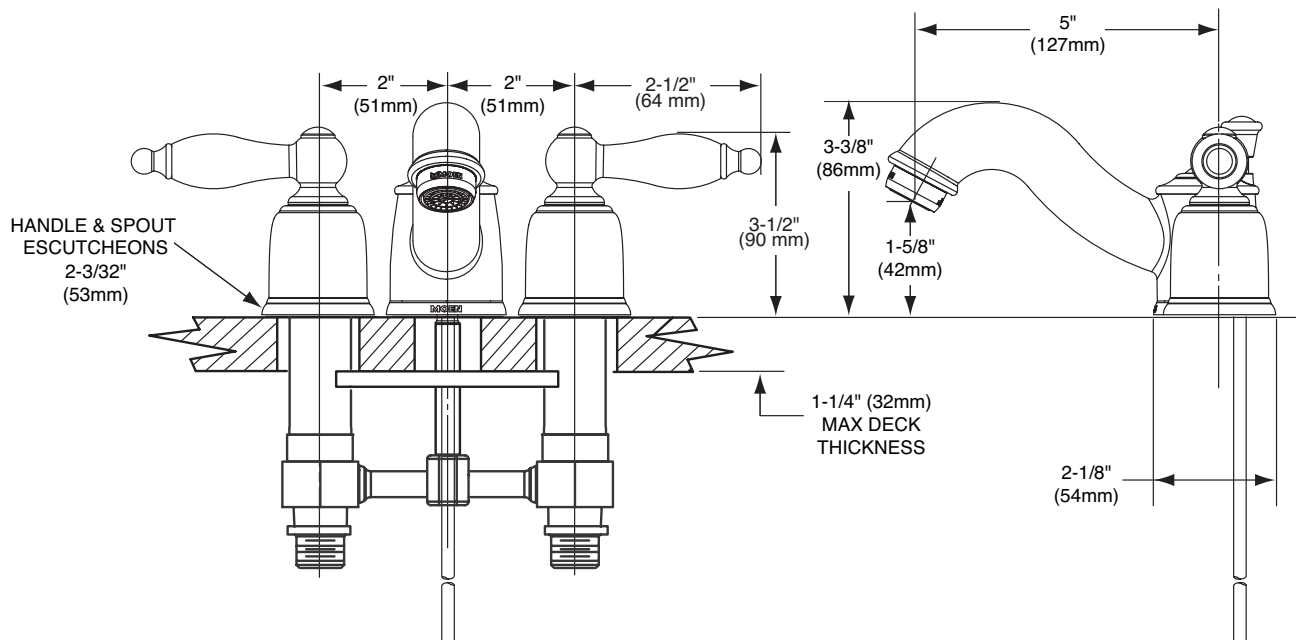


CASTELBY™
Two-Handle Mini-Widespread Lavatory Faucet

Models: T4955, T4955BN, T4955CP, T4955CPC, T4955P, T4955ST, T4955STST

Valve: 9300, 69300

NOTE: THIS FAUCET IS DESIGNED TO BE INSTALLED THRU 3 HOLES, 1-1/8" (29mm) MIN. DIA.



CRITICAL DIMENSIONS

(DO NOT SCALE)