



3050 Campus Drive, Suite 500 • Hatfield, PA 19440
Customer Service: 1.800.626.5771

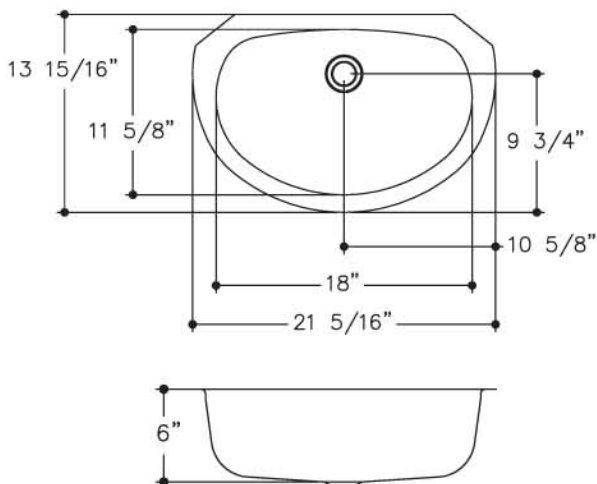
- 18-10 Stainless Steel
- Fully Undercoated
- Requires Lavatory Drain Assembly
- Limited Lifetime Buyer Warranty



Fits 27" Cabinet.

Model #	Faucet Holes	Finish Deck/Bowl	Bowl Size ↕ X ↔	Sink Depth	Overall Dimension	Gauge	Cutout Dimension
UV1422/60L/E No overflow. Lavatory drain without overflow holes is recommended.	NA	Mirror/Lustre	11 5/8" x 18"	6"	13 15/16" x 21 5/16"	18	Refer To Template*
UV1422/60L/EO With overflow assembly.	NA	Mirror/Lustre					

*DXF files are available for use with CNC equipment. Visit our website.



JOB NAME: _____

DATE: _____

CUSTOMER: _____

MODEL SPECIFIED: _____

QUANTITY: _____

ARCHITECT/ENGINEER: _____

CONTRACTOR: _____