

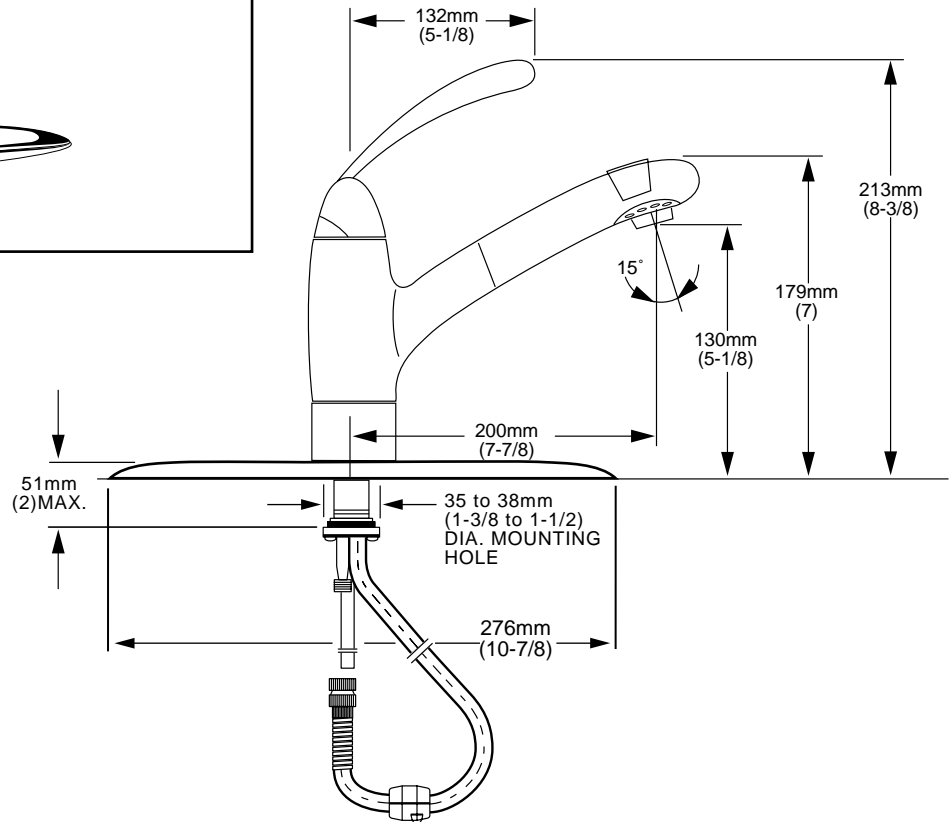
American Standard

CULINAIRE™

**SINGLE CONTROL KITCHEN FAUCET
with PULL-OUT SPRAY**

MODEL NUMBER:

- ❑ **4137.100 Kitchen Faucet with Pull Out Spray** Cast brass body with pullout spray. Escutcheon plate (installation is optional).



GENERAL DESCRIPTION:

Cast Brass body with stamped brass escutcheon plate. Pull-out swing spray spout. Metal hose is 1250mm (4') long. Washerless 40mm ceramic disc valve cartridge. 3/8" O.D. copper supplies with 1/2" male threaded connectors and nuts. Complete with two integral check valves and vacuum breaker. 2.2 gpm/8.3L/min. maximum flow rate. Fitting can be mounted with or without supplied escutcheon plate (escutcheon size 10-7/8"L x 2-1/2"W x 9/16"H).

PRODUCT FEATURES:

Brass and Copper Waterway: Highest quality materials for durability & long life.

Ceramic Disc Valve Cartridge: Assures smooth, precise valve control and a lifetime of drip-free, maintenance-free performance.

Memory Position Valving: Allows user to turn valve on and off at preferred temperature setting without readjusting handle position each time.

Low Lead: Meets NSF Standard 61/Section 9 & Prop 65 lead requirements.

Integral Check Valves: Prevents back flow.

Pull-out Spray Spout: Switches water flow from a stream to a spray. Simplifies even the most difficult cleaning tasks.

Choice of Finishes: Wide range of durable finishes.

SUGGESTED SPECIFICATION:

Single control kitchen combi faucet shall feature a cast brass body with pull-out spray swing spout with two check valves and vacuum breaker. Shall also feature washerless ceramic disc valve cartridge. Fitting shall be American Standard Model # 4137.100.____



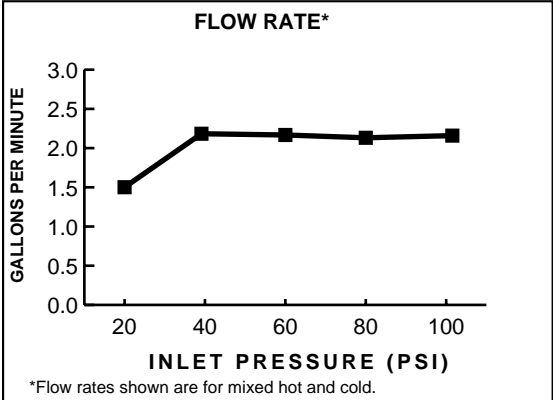
CULINAIRE™

SINGLE CONTROL KITCHEN FAUCET with PULL-OUT SPRAY

CODES AND STANDARDS

These products meet or exceed the following codes and standards:

- ANSI A117.1
- ASME A112.18.1
- NSF 61/Section 9
- CSA B125



Product Number	Description	Finish Options					
		Polished Chrome	PVD Blackened Bronze	PVD Stainless Steel	PVD Polished Brass	White Heat	PVD Satin
		002	068	075	099	208	295
4137.100	Kitchen Combi faucet. 3/8" O.D. copper inlets with 1/2" male adaptors and nuts.						

Meets the American Disabilities Act Guidelines and **ANSI A117.1** Requirements for the physically challenged.